

CONTRACTORS SHALL VERIFY JOB DIMENSIONS BEFORE ANY JOB COMMENCES. ALL SHOP DRAWINGS SHALL BE SUBMITTED TO THE SUPERINTENDENT AND MANUFACTURER SHALL NOT COMMENCE PRIOR TO THE RETURN OF UNAMENDED SHOP DRAWINGS SIGNED BY THE LOCAL AUTHORITY. DIMENSIONS SHALL TAKE PRECEDENCE OVER SCALE. THIS DRAWING SHOULD BE READ IN CONJUNCTION WITH ALL RELEVANT CONTRACT SPECIFICATIONS AND DRAWINGS COPYRIGHT OF THIS DRAWING IS VESTED IN WARDLE

General Notes

| Rev | Issue | Revision Description   | Amd | Date     |
|-----|-------|------------------------|-----|----------|
| C   | SG    | ISSUE FOR CONSTRUCTION | -   | 28.04.14 |
| B   | SG    | ISSUE FOR CONSTRUCTION | -   | 04.04.14 |
| A   | SG    | ISSUE FOR CONSTRUCTION | -   | 19.12.13 |
| 04  | SG    | VALUE MANAGEMENT ISSUE | -   | 28.03.13 |
| 03  | SG    | 100% CD - TENDER ISSUE | -   | 07.08.12 |
| 02  | SG    | 90% CD ISSUE           | -   | 10.08.12 |
| 01  | SG    | 75% CD ISSUE           | -   | 13.07.12 |



**NADAAA**

NADAAA Telephone  
1920 Washington Street No. 2 Facsimile  
Boston, MA 02115 USA +1 888 442 1417  
nad@nadaaa.com

**John Wardle Architects**

25 Rokeby Street, Collingwood, Victoria 3066 Australia  
Tel: +61 3 8662 0400 www.johnwardlearchitects.com  
© 2014 John Wardle Architects ABN 63 006 814 298

Client: University of Melbourne  
Parkville Campus

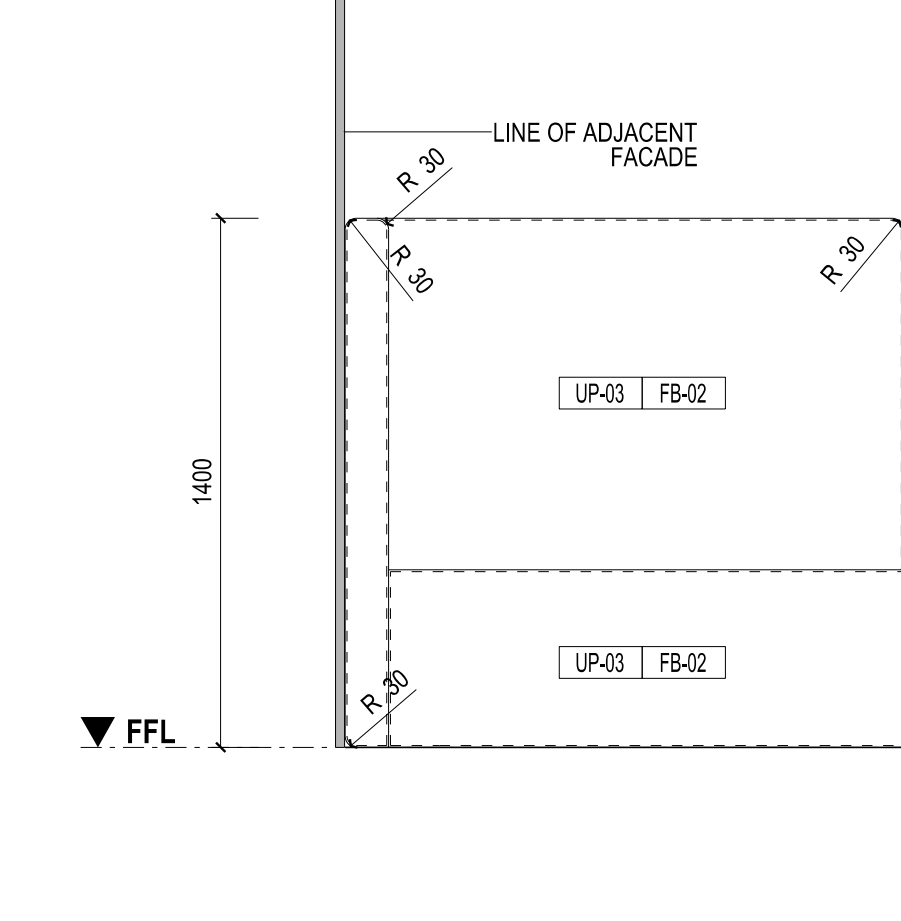
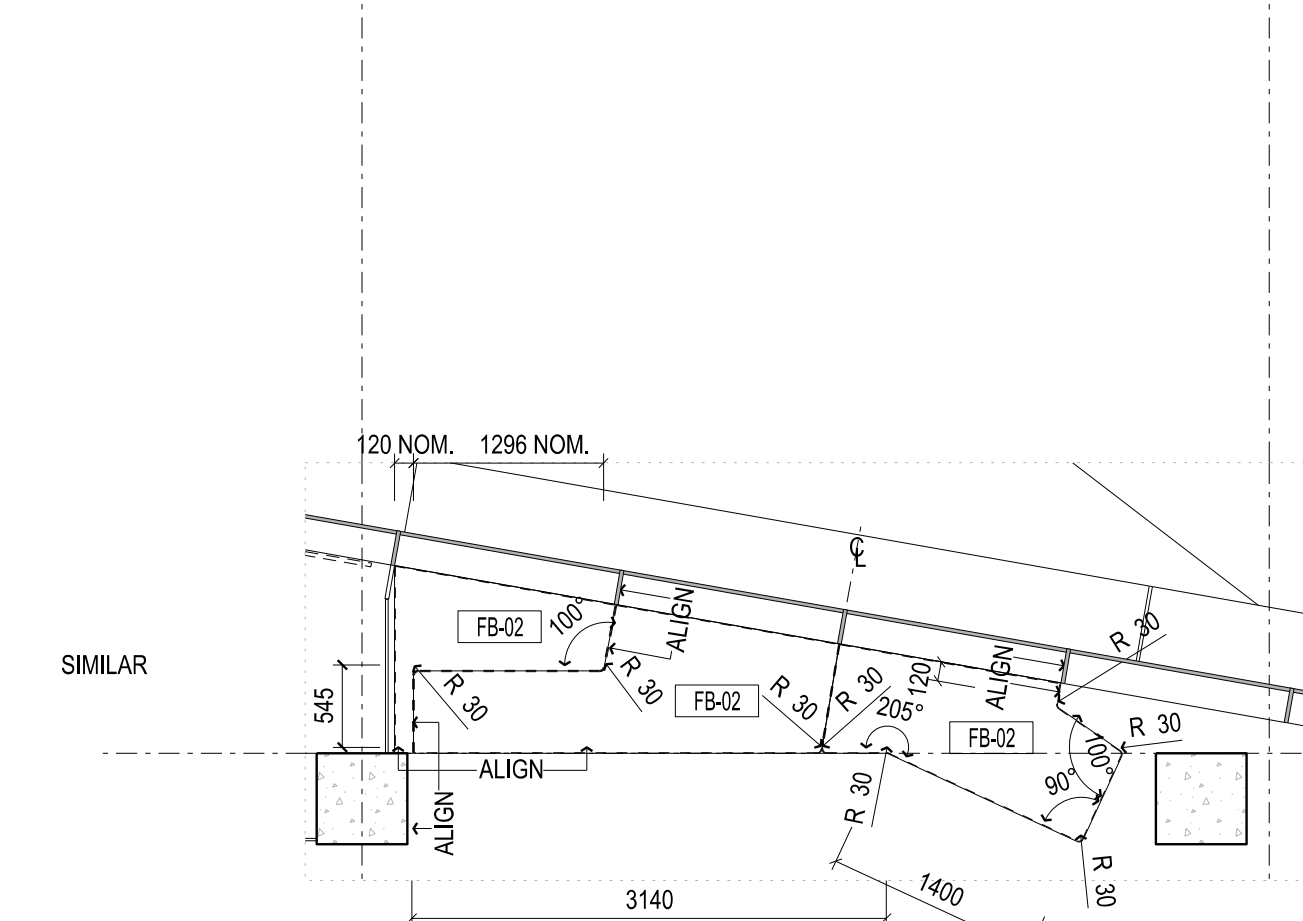
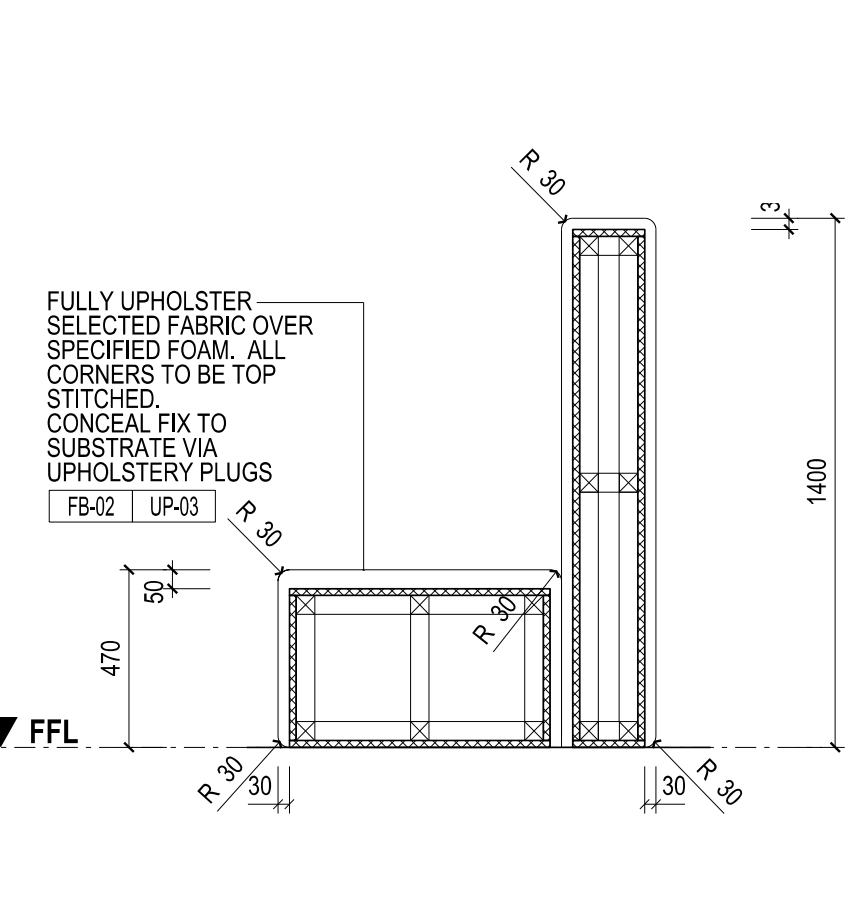
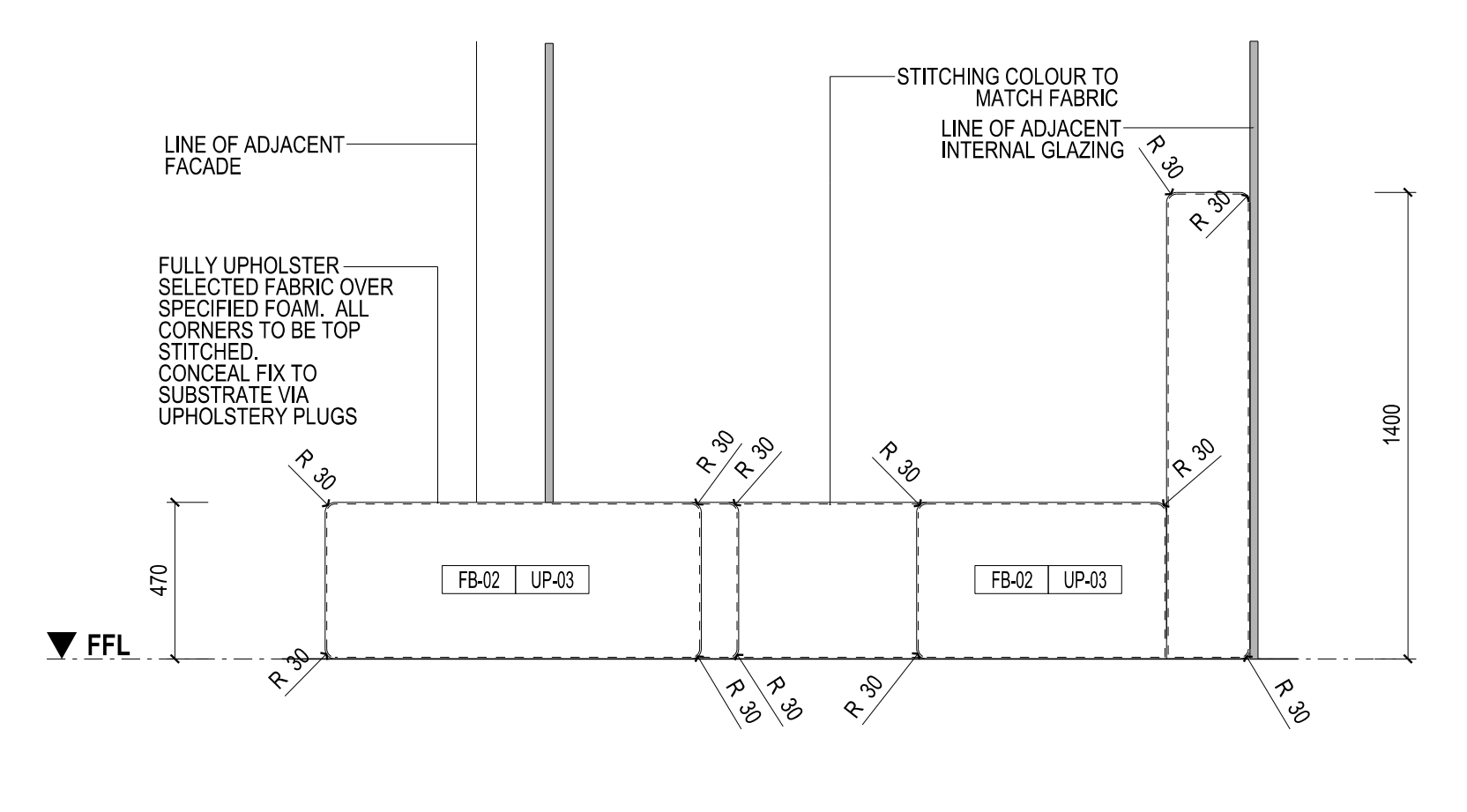
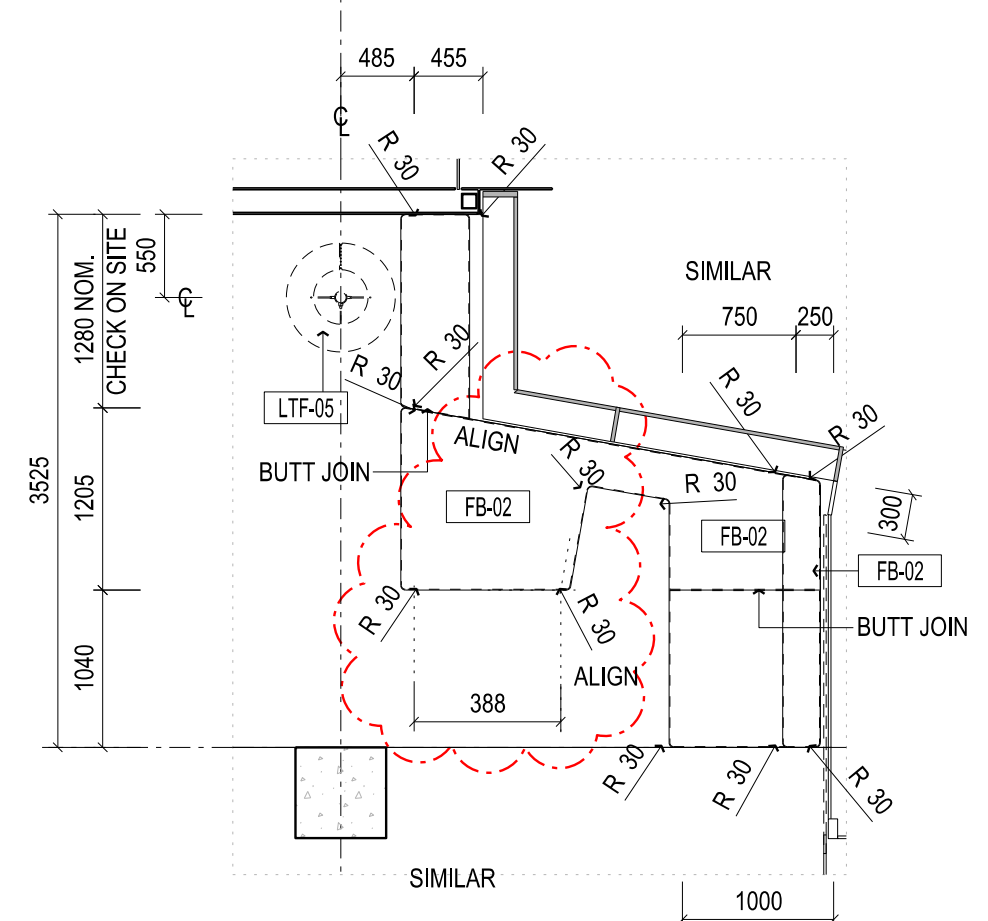
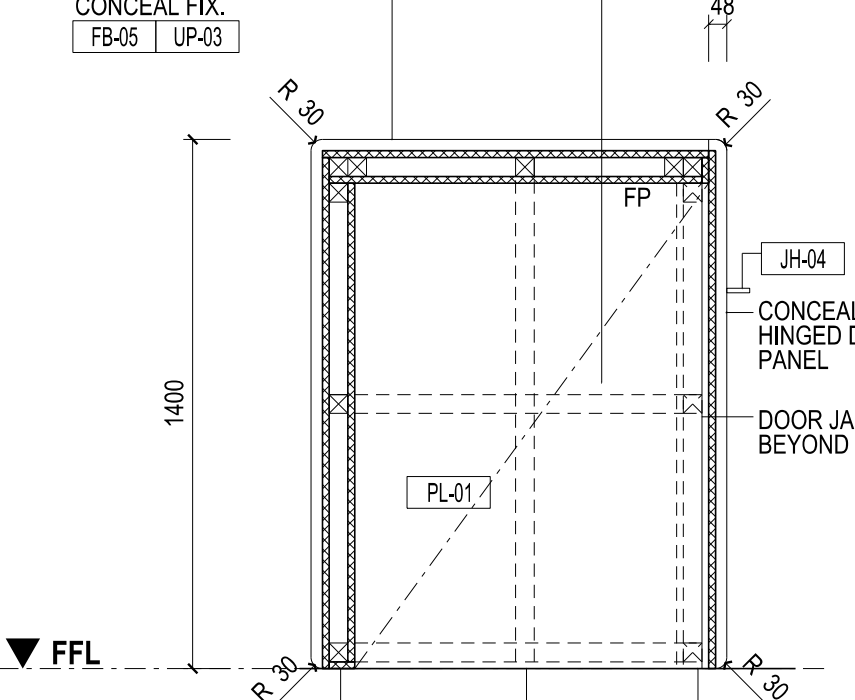
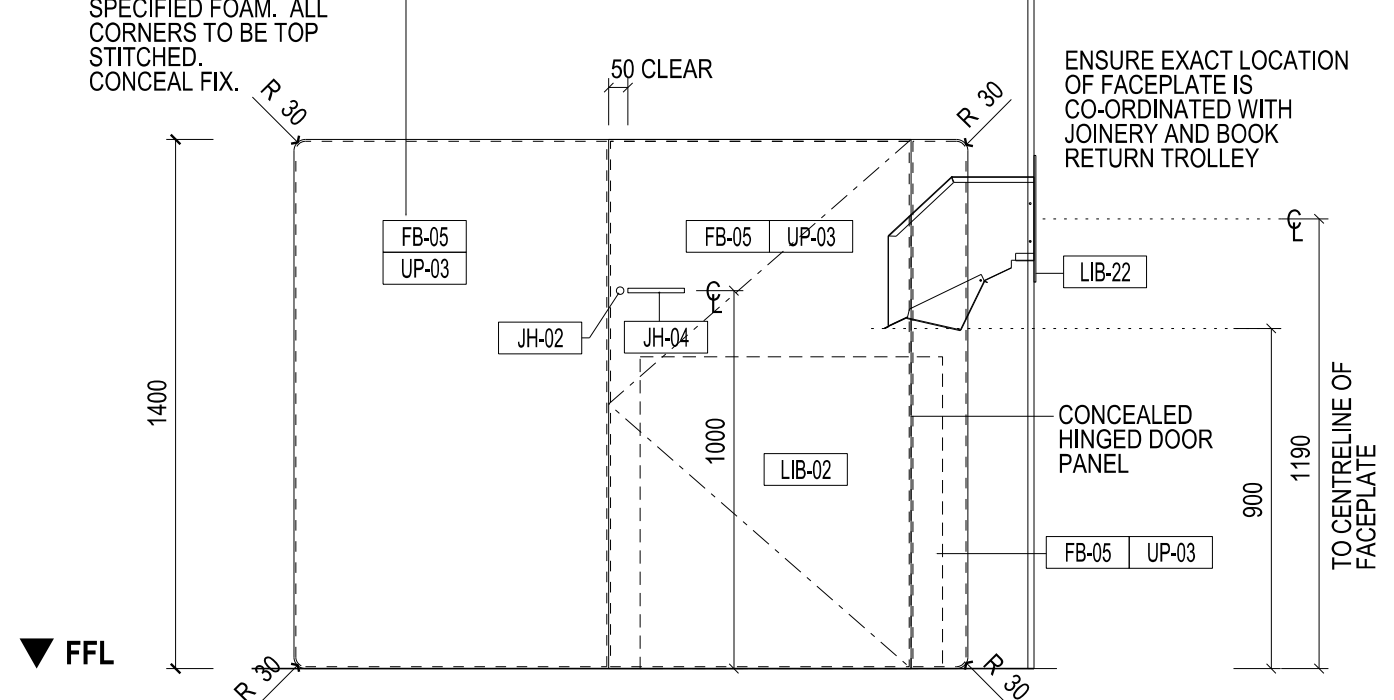
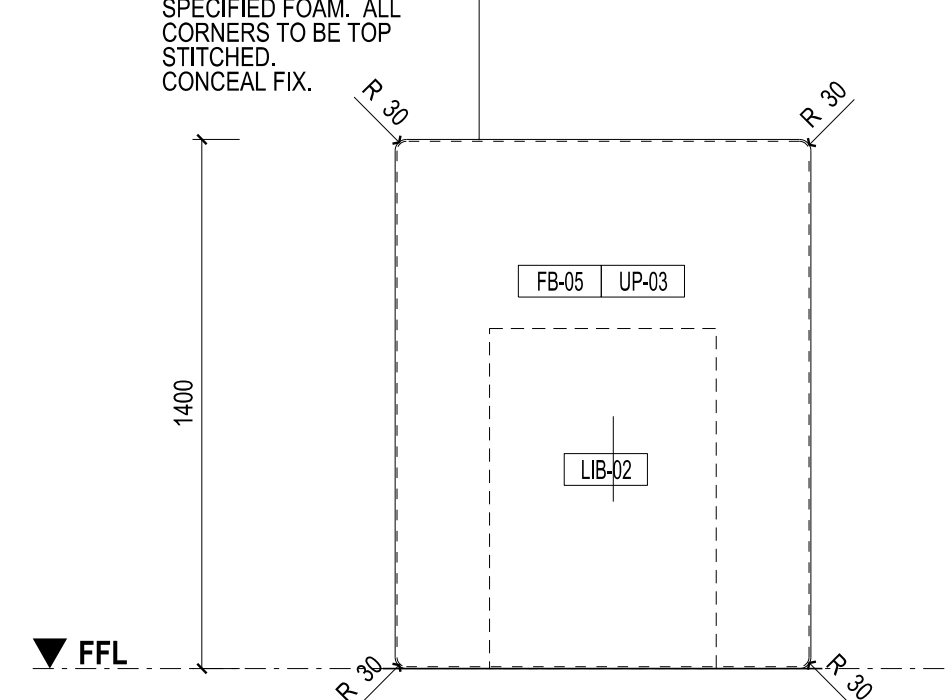
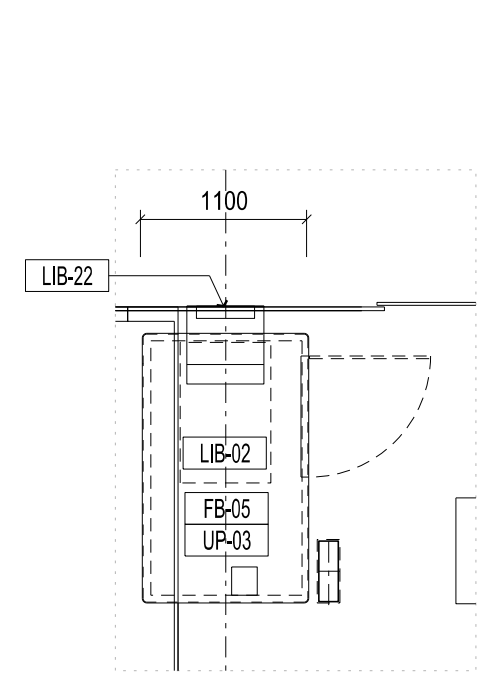
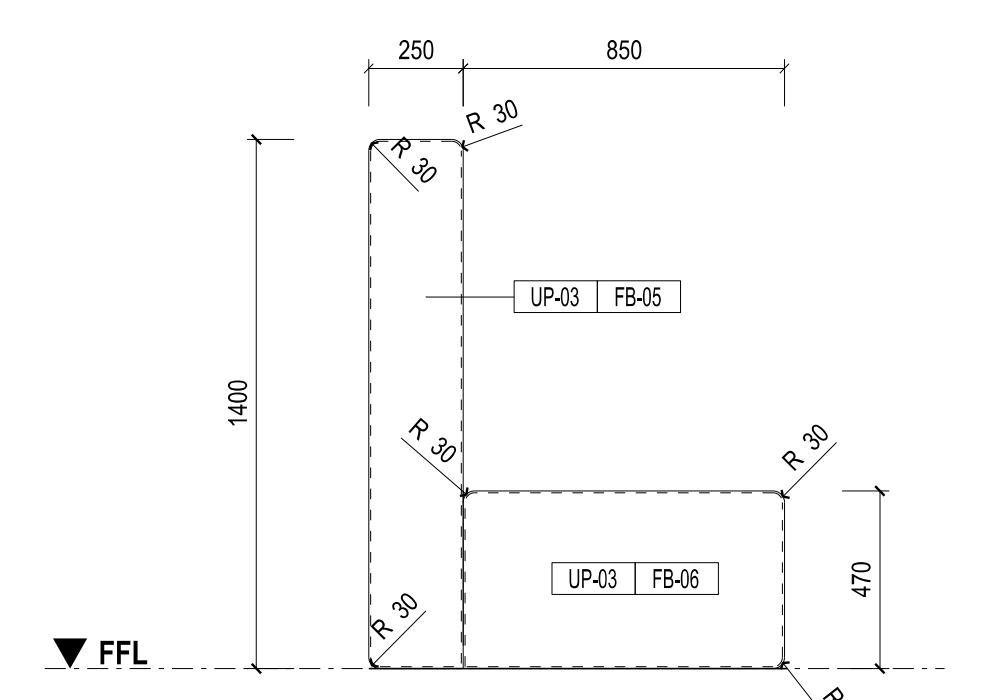
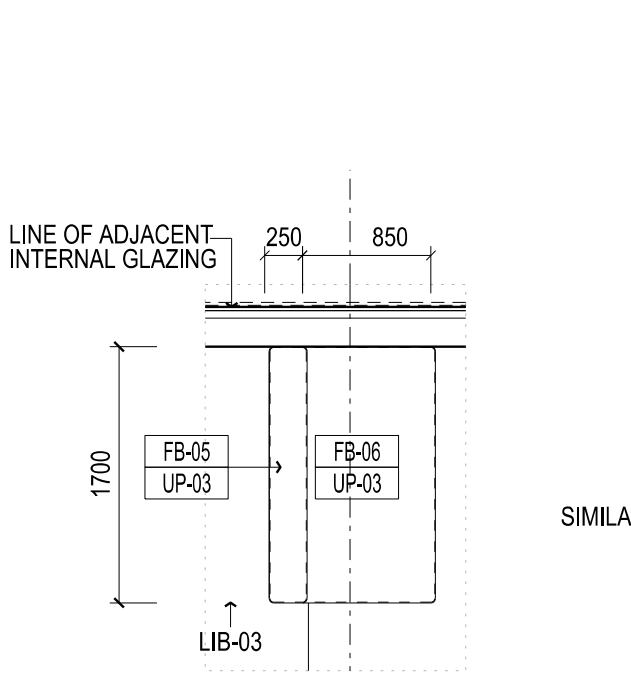
Project: Faculty of Architecture  
Building and Planning

Title: JOINERY DETAILS  
G01 LIBRARY

|             |        |          |                        |
|-------------|--------|----------|------------------------|
| Project No. | 0913   | Scale    | 1:20 @ A0<br>1:40 @ A2 |
| Drawing No. | AR8157 | Revision | B                      |

Date: Dec 2011 Drawn: KW Co-Ord: SG Check: JA

**FOR CONSTRUCTION**



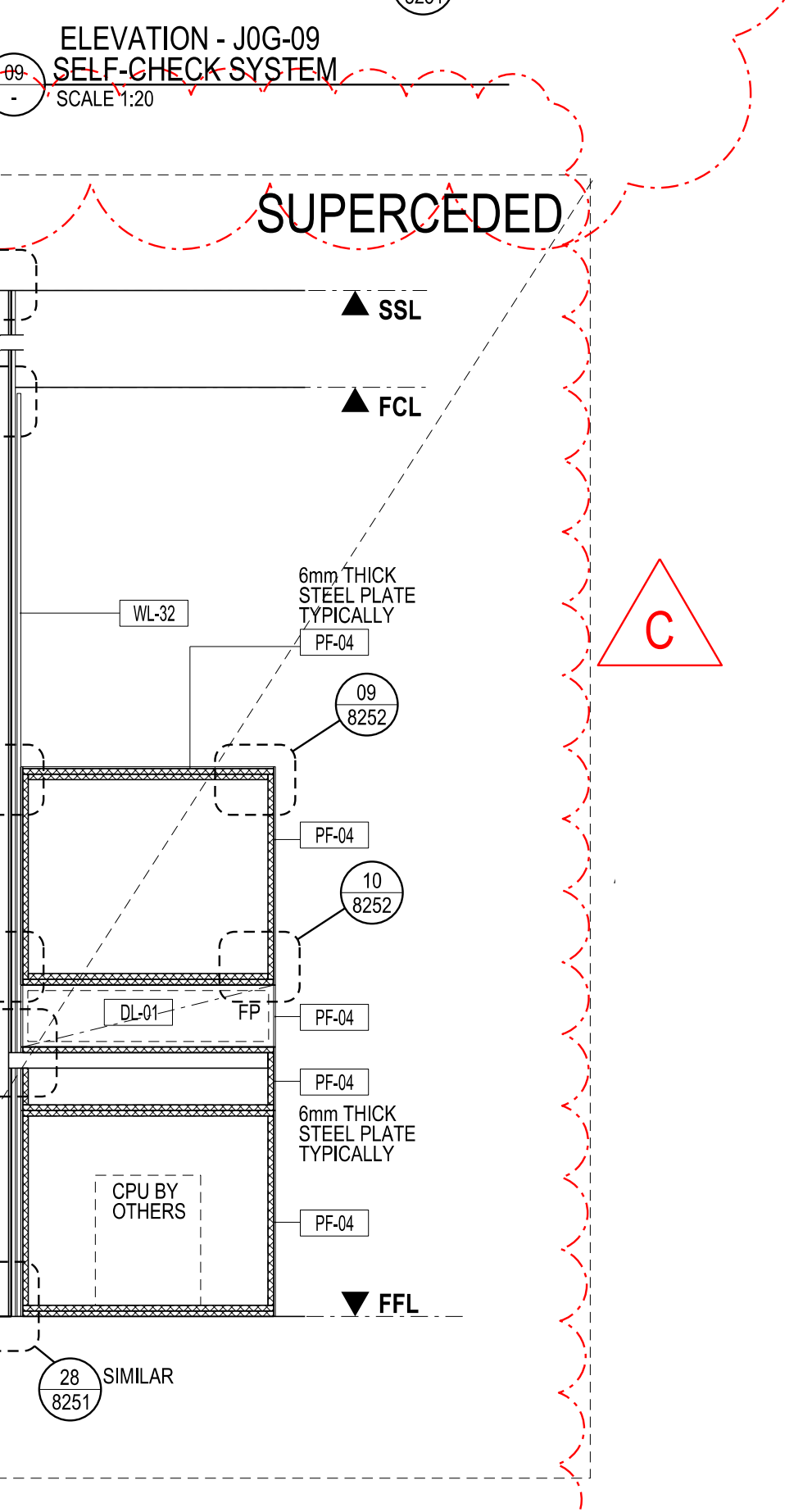
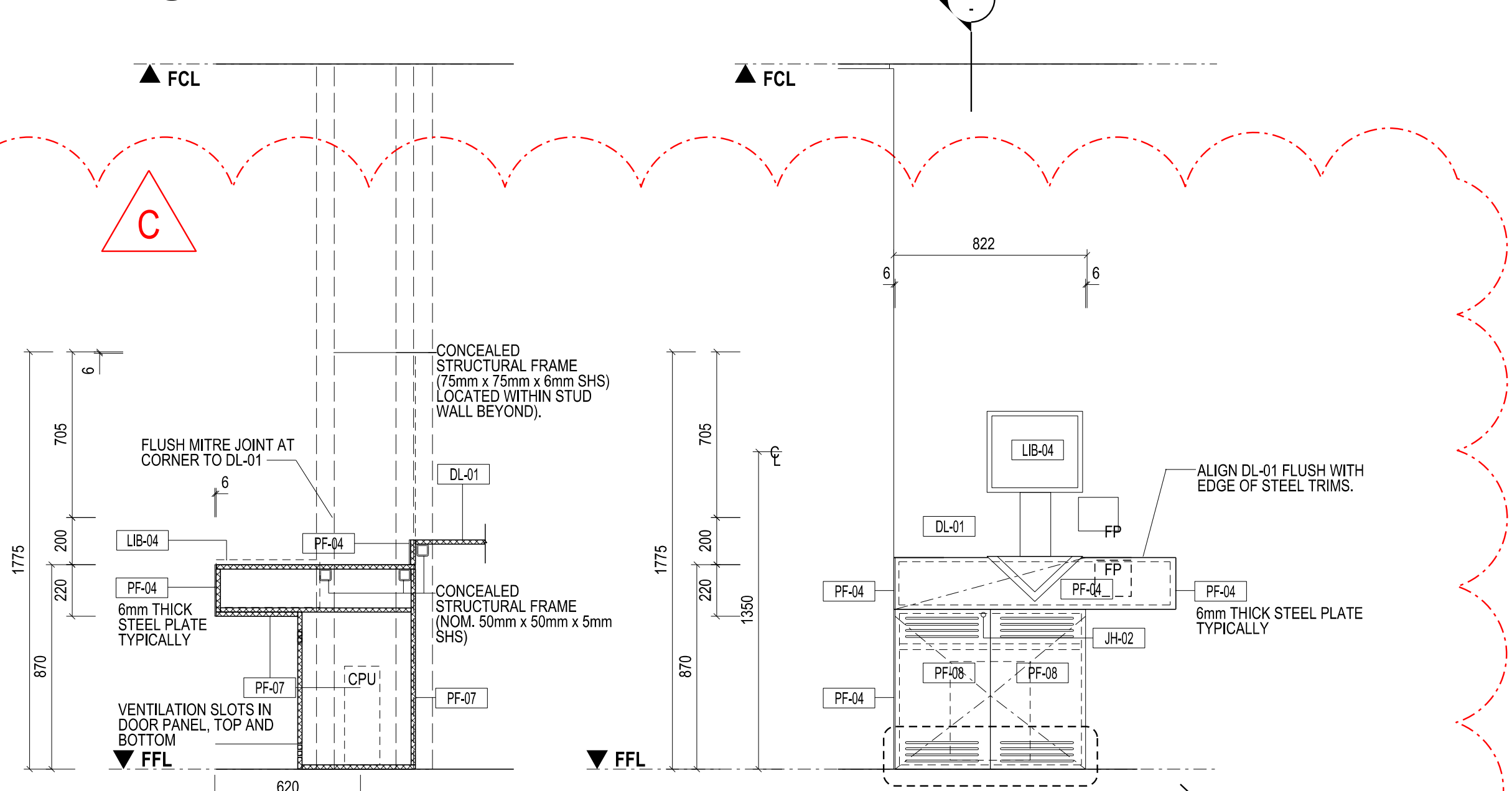
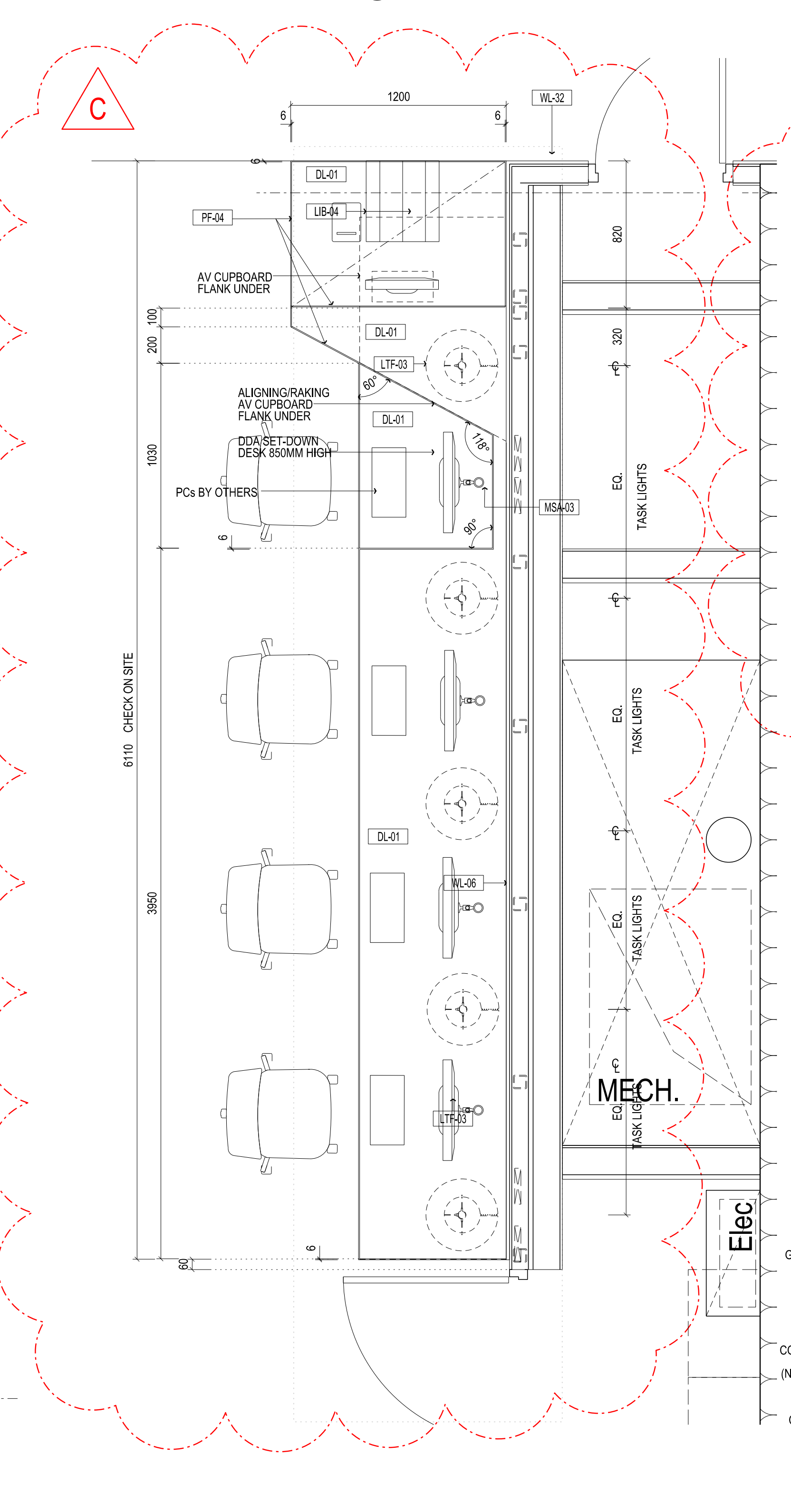
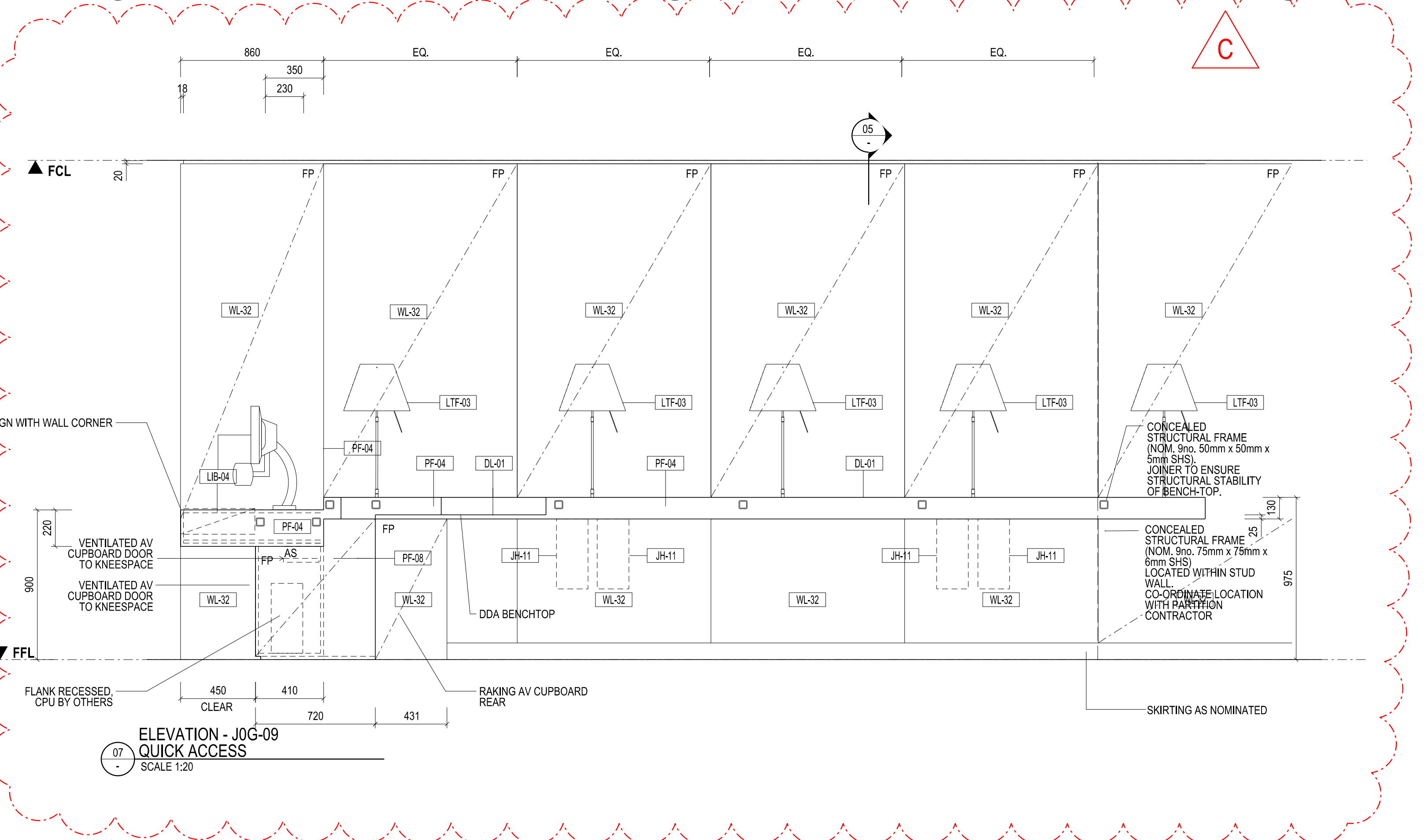
PLAN - J0G-01 UPHOLSTERED BENCH SEAT SCALE 1:50

ELEVATION - J0G-01 UPHOLSTERED BENCH SEAT SCALE 1:20

TYPICAL SECTION - J0G-01 UPHOLSTERED BENCH SEAT SCALE 1:20

PLAN - J0G-10 UPHOLSTERED BENCH SEAT SCALE 1:50

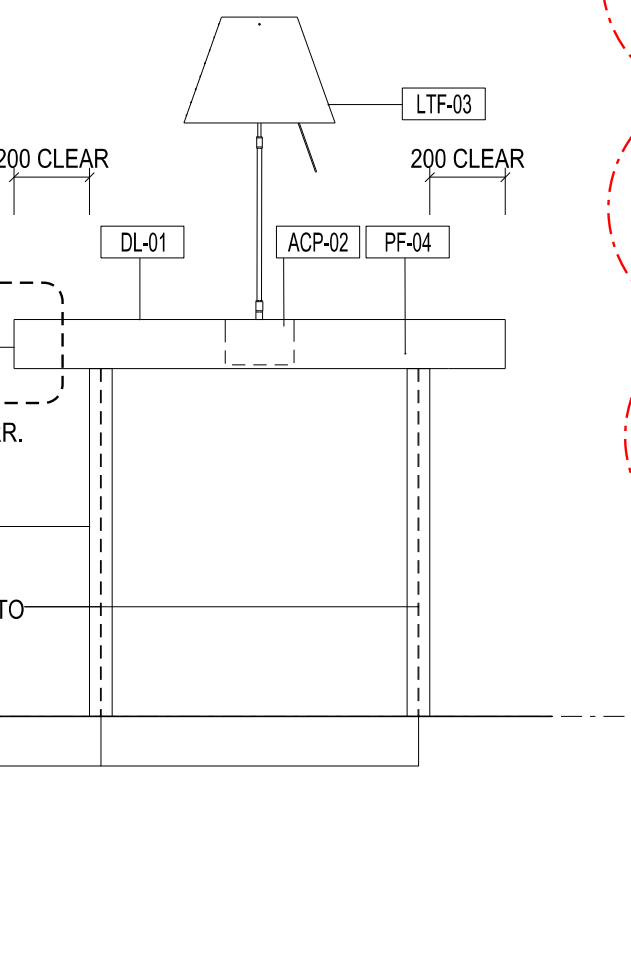
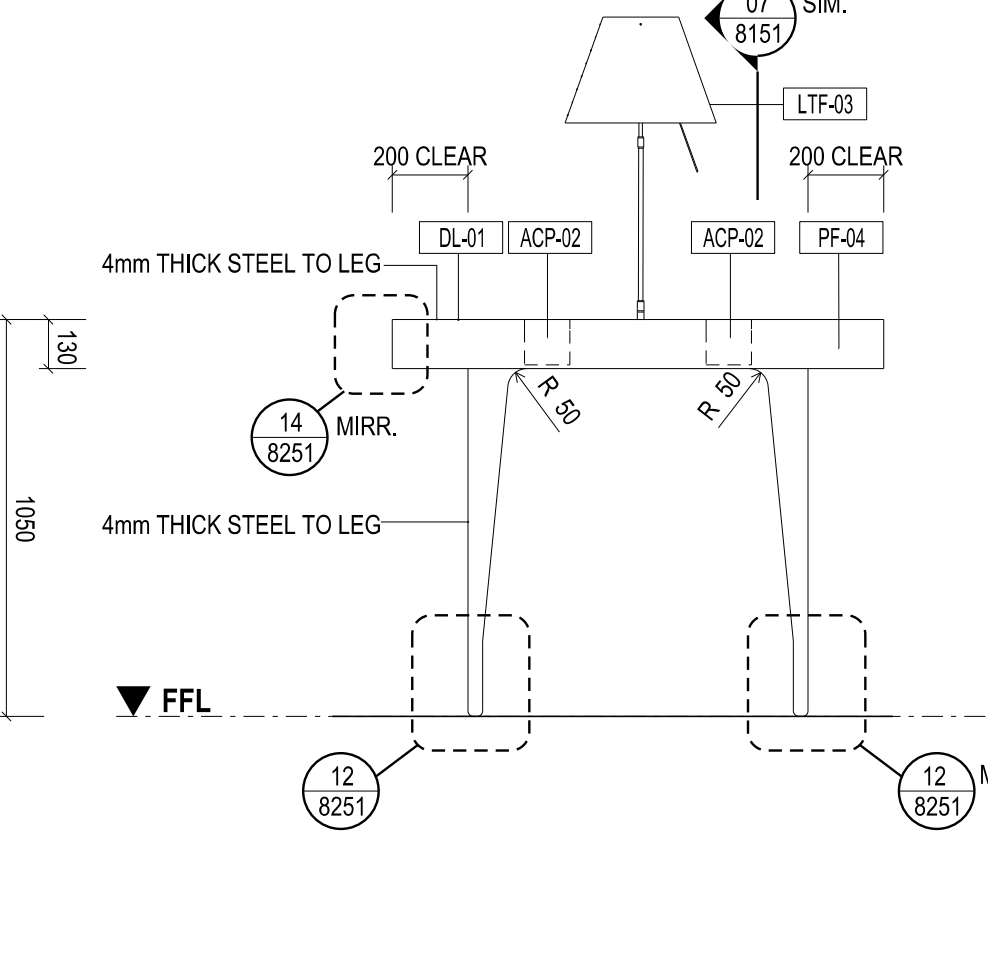
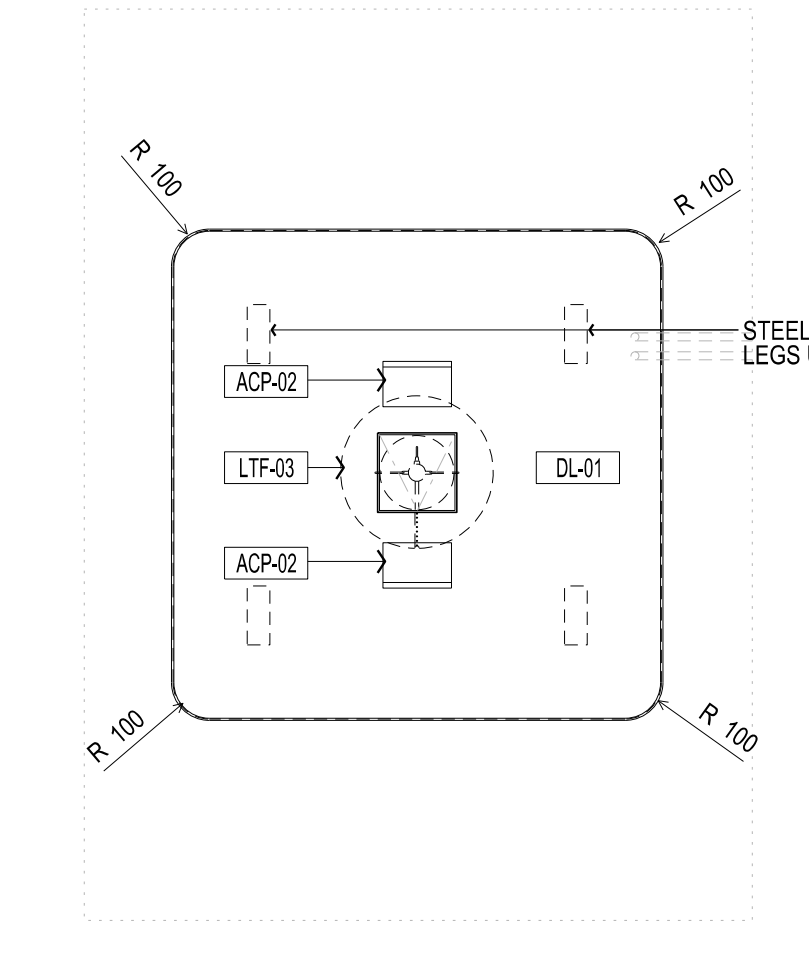
ELEVATION - J0G-10 UPHOLSTERED BENCH SEAT SCALE 1:20



ELEVATION - J0G-09 QUICK ACCESS SCALE 1:20

SECTION - J0G-09 SELF-CHECK SYSTEM SCALE 1:20

ELEVATION - J0G-09 SELF-CHECK SYSTEM SCALE 1:20



PLAN - J0G-07A AND J0G-07B COLLABORATIVE TABLES SCALE 1:20

ELEVATION - J0G-07A AND J0G-07B COLLABORATIVE TABLES SCALE 1:20

ELEVATION - J0G-07A AND J0G-07B COLLABORATIVE TABLES SCALE 1:20

PLAN - J0G-09 QUICK ACCESS SCALE 1:20

SECTION - J0G-09 SELF-CHECK SYSTEM SCALE 1:20

SECTION - J0G-09 SELF-CHECK SYSTEM SCALE 1:20